

T2B Series

Single-phase dry-type transformers. Split-core from 3.500 VA to 25.000 KVA.

Safety isolating single-phase transformers.

(see last page) Like the "T1B", they are suitable for any use requiring continuous duty at the rated power marked on the plate. A screw placed on the upper supports (see drawing) makes the transformer ready for earthing. The connections are carried out through a protected terminal block, the size of which varies according to the through-current.

Protection rating: IP00

Dielectric strength: 4 KV/50 Hz x1'

Insulation class: Ta 40°/F; A, B, H on request

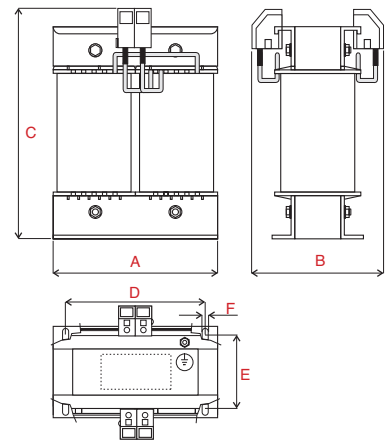
Starting current: 15-26 times the primary rated current for about 10 ms

Short-circuit resistance: not proof

Protection class: I

Operating frequency: 50/60 Hz

Fixing to panel available on request



Rated	No-load losses	Losses in short circuit	Short circuit voltage	Performance	Heft	Maximum size in mm					
Sn VA	po %	pcc %	vcc %	η	Kg	A	B	C	D	E	F
3500	1,24	4,3	4,9	0,948	26	240	160	350	180	120	9x23,5
4000	1,26	3,9	4,4	0,951	29	240	170	350	180	130	9x23,5
5000	1,14	3,2	3,6	0,958	34	240	180	350	180	140	9x23,5
6000	1,07	3	3,4	0,961	38	240	190	350	180	150	9x23,5
7000	0,93	3,4	4,1	0,958	43	280	183	395	210	138	10,5x30
8000	0,9	3,5	4,1	0,958	46	280	190	395	210	145	10,5x30
9000	0,92	3,2	3,9	0,960	51	280	200	395	210	155	10,5x30
10000	0,94	2,7	3,3	0,964	57	280	212	395	210	167	10,5x30
12000	0,93	2,5	3	0,967	66	280	230	395	210	185	10,5x30
15000	0,87	2,3	2,7	0,970	78	280	250	395	210	205	10,5x30
16000	0,88	2,5	3	0,968	82	320	270	430	265	190	10,5x30
20000	0,88	2	2,5	0,971	103	320	300	430	265	220	10,5x30
25000	0,86	1,8	2,2	0,974	125	320	330	430	265	250	10,5x30
Tolerances	+20%	+10%		+10%		+2mm					
		values related to 115°C									